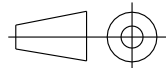
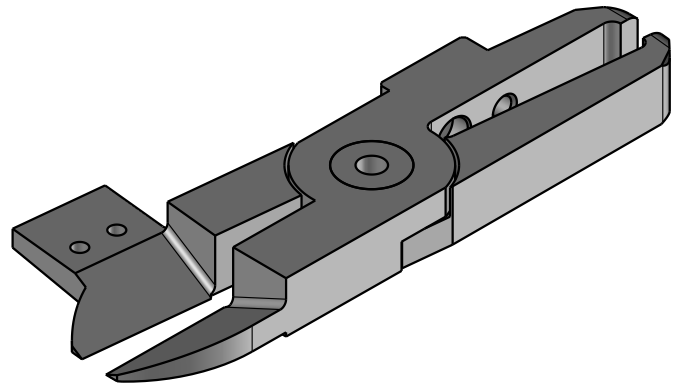
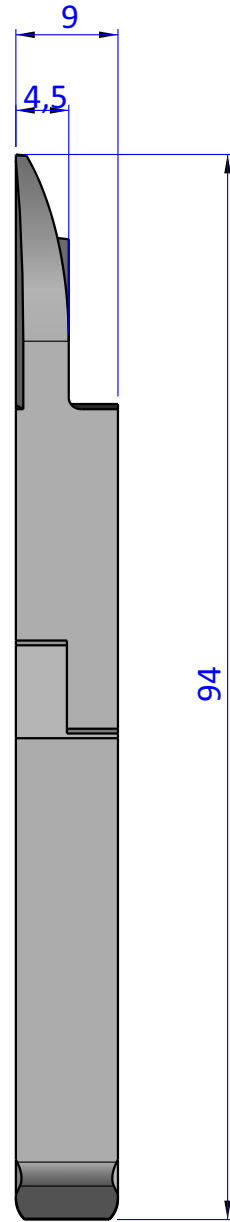
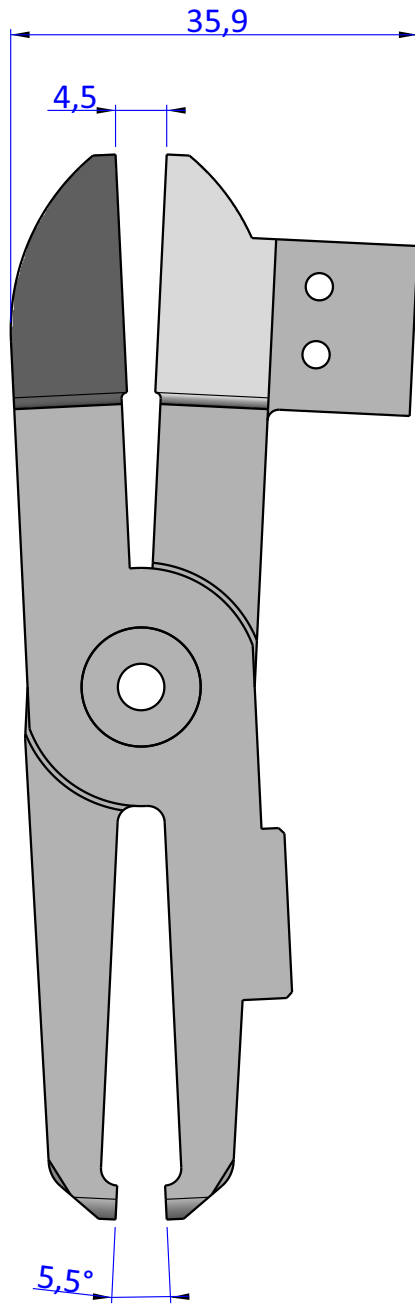


THE PROPERTY OF THE DRAWING IS ESTABLISHED BY LAW. IT IS FORBIDDEN TO PRODUCE OR SHOW IT TO THIRD PART, WITHOUT A WRITTEN AGREEMENT.



DESIGNED FROM FPS Automation		REVIEW A
DATE 27/10/2020	WEIGHT 0,088kg	
CODE VES.NTH10AJ		

Format A4
UNI 936-76

GENERAL TOLERANCE UNI - ISO 2768 CLASSE f

DESCRIPTION VES.NTH10AJ
